

Specifications

TFT-LCDmodule

Model No: NMZ2D4N426-A

For Customer's Acceptance	
Approved by	Comment

	Signature	Date
Prepared by		
Checked by		
Approved by		



东莞市方胜电子有限公司

DONGGUAN FANGSHENG ELECTRONIC CO., LTD.

HK GUANKE INDUSTRY LIMITED

Contents

1	General Description	3
1.1	Features	3
1.2	Application	3
2	Outline Dimension	4
3	Electrical Characteristics	5
3.1	TFT-LCD Module	5
3.2	Back-Light Unit.....	5
4	Block Diagram	6
5	TFT-LCM Interface Specification	7
6	Description of Interface'Signal	8
6.1	Register Selection.....	8
6.2	Values of /CS during GRAM Write.....	8
6.3	RGB Interface Timing.....	8
6.4	DC Characteristics.....	9
6.5	AC Characteristics	10
6.6	Reset Timing Characteristics.....	11
7	Optical Specification.....	12
8	Environment Absolute Maximum Ratings	15
9	Reliability Test Items	11
10	Package	16
11	Precautions.....	17
11.1	Handling	17
11.2	Storage.....	18
11.3	Operation.....	18
11.4	Touch Panel Mounting Notes	18
11.5	Others	19
12	Records of Version	21

Address: In Building 2, BaiDai Industrial Park, ChangPing Road, DaoJiaoTown, Dongguan, Guangdong, P.R. China.

E-mail: Fancy@fslcd.com | Website: www.fslcd.cn | www.tftlcd-display.com

Watsapp/Skype/Wechat: +86-189 2546 1855 T:+86-769-22705821 EXT 815 | F: +86 769-2270-5825 | M: +86-134 1284 8038



东莞市方胜电子有限公司

DONGGUAN FANGSHENG ELECTRONIC CO., LTD.
HK GUANKE INDUSTRY LIMITED

1 General Description

NM22D4N426-A is a transmissive type a-Si TFT-LCD (amorphous silicon thin film transistor liquid crystal display) module, which is composed of a TFT-LCD panel, a driver circuit a backlight unit, The panel size is 2.4 inch and thresolution is 240x320. High image quality a-Si TFT LCD module. Partial-screen display function is available. Sleep and Stand-by modes are available for power saving.

1.1 Features

No	Item	Specification	Remark
1	Display Mode	Normally White	
2	Screen Size	2.4inch (diagonal)	
3	Resolution	240XRGBX320	
4	Color Number	262K	
5	Color Arrangement	RGB-stripe	
6	Driver IC	ILI9341V	
7	Back Light	White LED*4	
8	Viewing Direction	12 o'clock	
9	Interface	SPI interface.	
10	Surface Treatment	UV Cut	
11	touch panel	4-wires analog resistive type touch panel.	

1.2 Application

- ◆ Mobile phone.
- ◆ Portable multimedia device.

2 Outline Dimension

The mechanical detail is shown in Fig. 1 and summarized in Table 1 below.

Parameter	Specifications	Unit
Outline dimensions	42.72(W) x60.26(H) x 3.40(D) (LCM,no include FPC)	mm
Active area	36.72(W) x48.96(H)	mm
Resolution	240(H)RGBx 320(V) dots	-
Dot size	0.153(H) x 0.153(V)	mm
Overall Weight		grams

Address: In Building 2, BaiDai Industrial Park, ChangPing Road, DaoJiaoTown, Dongguan, Guangdong, P.R. China.

E-mail: Fancy@fsdzlcd.com | Website: www.fslcd.cn | www.tftlcd-display.com

Watsapp/Skype/Wechat: +86-189 2546 1855 T:+86-769-22705821 EXT 815 | F: +86 769-2270-5825 | M: +86-134 1284 8038

Figure 1: Module specification of the module

3.1 TFT-LCD Module

3 Electrical Characteristics

Ta=25°C

Item	Symbo	Value			Unit	Notes
		Min	Typ	Max		
Supply Voltage for logic	Vcc	2.5	2.8	3.3	V	
	Vci	2.5	2.8	3.3		
TFT Gate ON Voltage	VGH *	10	15	20	V	
TFT Gate OFF Voltage	VGL	-15	-8	-5	V	
Operating temperature	Top	-20		+70	°C	
Storage temperature	Tst	-30		+80	°C	

3.2 Back-Light Unit

Item	Symbol	Min.	Typ.	Max.	Unit	Remark
Current	IF	--	20X4	--	mA	IF=80mA VF=3.2V
Forward voltage	VF	2.8	3.0	3.2	V	
Chroma	X	0.250		0.30		
	Y	0.250		0.30		
Brightness	L	4500			Cd/m2	
Uniformity	UBL	80			%	

- I 4 LEDs used
- I The luminous intensity of LED is strongly dependent on the driving current.
- I It is recommended the input of backlight to be constant current rather than constant voltage.



东莞市方胜电子有限公司

DONGGUAN FANGSHENG ELECTRONIC CO., LTD.
HK GUANKE INDUSTRY LIMITED

5 TFT-LCM Interface Specification

Pin No	Symbol	Description	Note
2	LED-	Power supply Cathode input for backlight	
3	LED+	Power supply Anode input for backlight	
4	VDD-2.8V	Power supply input for LCM:2.8V	
5	VDDIO-1.8V	Power supply input for LCM:2.8V	
6	RST	Reset signal input Pin	
7	LSCE	Chip select input pin.	
8	LSCK	High speed interface CLOCK differential signal input pin	
9	LSDO	Serial data output	
10	LSDA	Serial data input	
11	D/CX	Data/Instruction select input pin ---RS=H:Display data ---RS=L:Instruction data	
12	XP	NC	
13	YM	NC	
14	XM	NC	
15	YP	NC	
16	GND	Ground	

Address: In Building 2, BaiDai Industrial Park, ChangPing Road, DaoJiaoTown, Dongguan, Guangdong, P.R. China.

E-mail: Fancy@fsdzlcd.com | Website: www.fslcd.cn | www.tftlcd-display.com

WatsApp/Skype/Wechat: +86-189 2546 1855 T:+86-769-22705821 EXT 815 | F: +86 769-2270-5825 | M: +86-134 1284 8038



6 Description of Interface'Signal

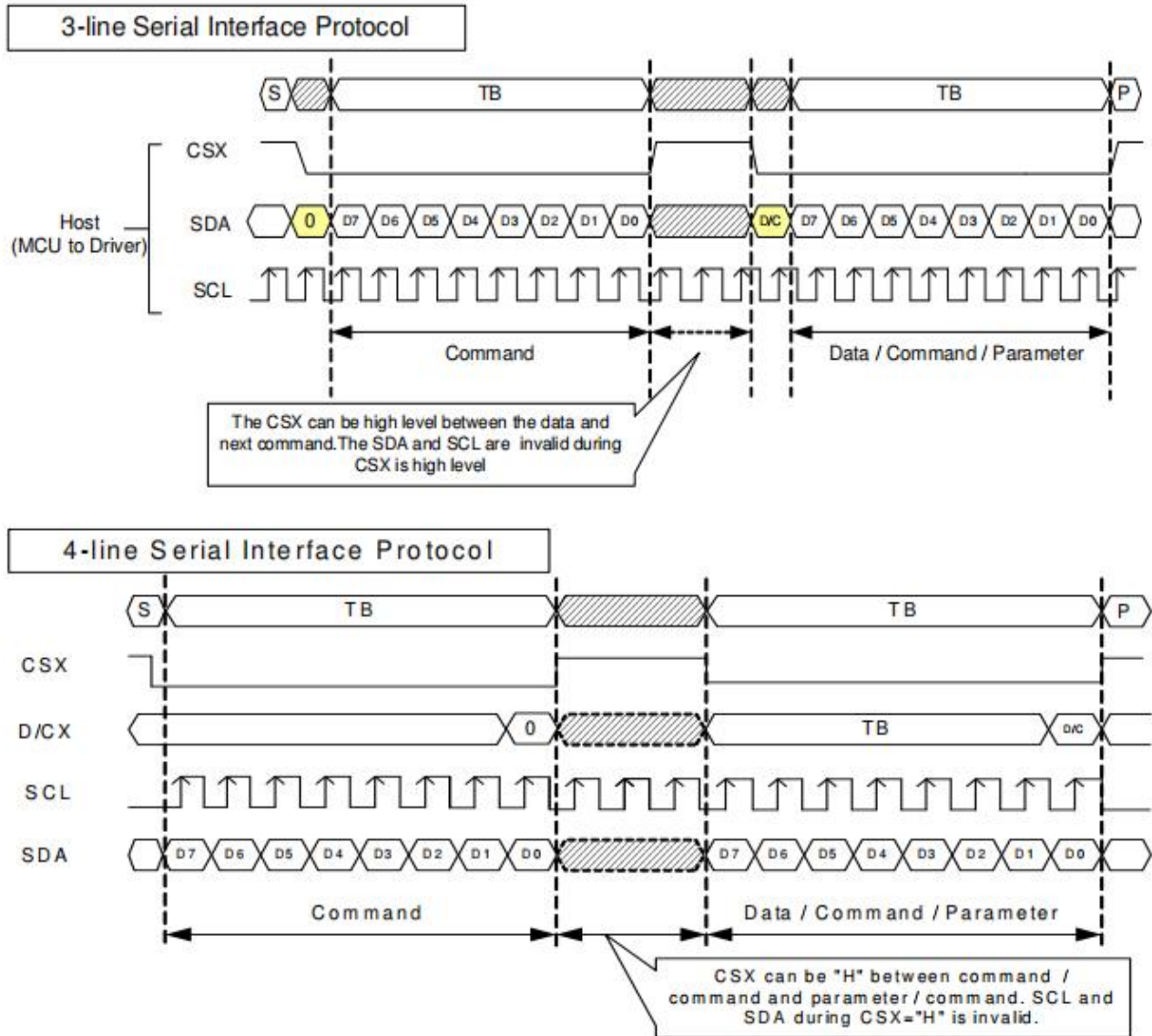
6.1 Register Selection

<i>/WR</i>	<i>/RD</i>	<i>RS</i>	<i>Operations</i>
0	1	0	Write command to register
1	0	0	Read command data to RAM
0	1	1	Write display data to RAM
1	0	1	Read display data from RAM

6.2 Values of /CS during GRAM Write

<i>/CS</i>	<i>Operations</i>
0	Data is written to the GRAM. RAM address is updated.
1	Data is not written to the GRAM. RAM address is not updated.

6.3 SPI Interface Timing





东莞市方胜电子有限公司

DONGGUAN FANGSHENG ELECTRONIC CO., LTD.
HK GUANKE INDUSTRY LIMITED

6.4 DC Characteristics (Vcc=2.4~ 3.3V, IOVcc=1.65-3.3V, Ta=-40 ~ 85°C)

(VCC = VCI=2.40 ~ 3.0V, IOVCC = 1.65 ~ 3.30V, Ta= -40 ~ 85 °C)

Item	Symbol	Unit	Test Condition	Min.	Typ.	Max.	Note
Input high voltage	V _{IH}	V	IOVCC= 1.8 ~ 3.3V	0.8*IOVCC	-	IOVCC	-
Input low voltage	V _{IL}	V	IOVCC= 1.8 ~ 3.3V	-0.3	-	0.2*IOVCC	-
Output high voltage(1) (DB0-17 Pins)	V _{OHI}	V	IOH = -0.1 mA	0.8*IOVCC	-	-	-
Output low voltage (DB0-17 Pins)	V _{OLI}	V	IOVCC=1.65~3.3V	-	-	0.2*IOVCC	-
I/O leakage current	I _{LI}	μA	Vin = 0 ~ VCC	-0.1	-	0.1	-
Current consumption during normal operation (VCC = GND)	I _{OP}	μA	VCC=2.8V, Ta=25°C, fOSC = 512KHz (Line) GRAM data = 0000h	-	100 (VCC)	-	-
Current consumption during standby mode (VCC = GND)	I _{ST}	μA	VCI=2.8V, Ta=25°C	-	30	50	-
LCD Drive Power Supply Current (DDVDH-GND)	I _{LCD}	mA	VCI=2.8V, VREG1OUT=4.8V DDVDH=5.2V, Frame Rate: 70Hz, line-inversion, Ta=25°C, GRAM data = 0000h,	-	5.0	-	-
LCD Driving Voltage (DDVDH-GND)	DDVDH	V	-	4.5	-	6	-
Dispersion of the Average Output Voltage	V	mV	-	-10	-	10	-

6.5 AC Characteristics

Normal Write Mode (IOVCC = 1.65~3.3V)

Item	Symbol	Unit	Min.	Typ.	Max.	Test Condition
Bus cycle time	Write	t _{CYCW}	ns	100	-	-
	Read	t _{CYCR}	ns	300	-	-
Write low-level pulse width	PW _{LW}	ns	50	-	500	-
Write high-level pulse width	PW _{HW}	ns	50	-	-	-
Read low-level pulse width	PW _{LR}	ns	150	-	-	-
Read high-level pulse width	PW _{HR}	ns	150	-	-	-

Write / Read rise / fall time	t _{WR/t_{WR}}	ns	-	-	25	
Setup time	Write (RS to nCS, E/nWR)	t _{AS}	ns	10	-	-
	Read (RS to nCS, RW/nRD)			5	-	-
Address hold time	t _{AH}	ns	5	-	-	
Write data set up time	t _{DSW}	ns	10	-	-	
Write data hold time	t _H	ns	15	-	-	
Read data delay time	t _{DDR}	ns	-	-	100	
Read data hold time	t _{DHR}	ns	5	-	-	

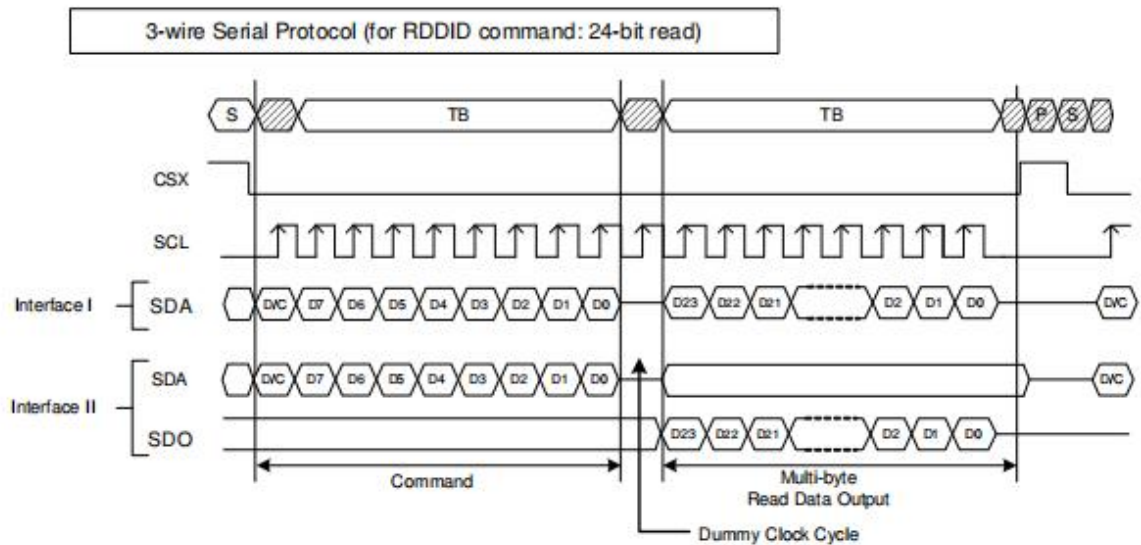
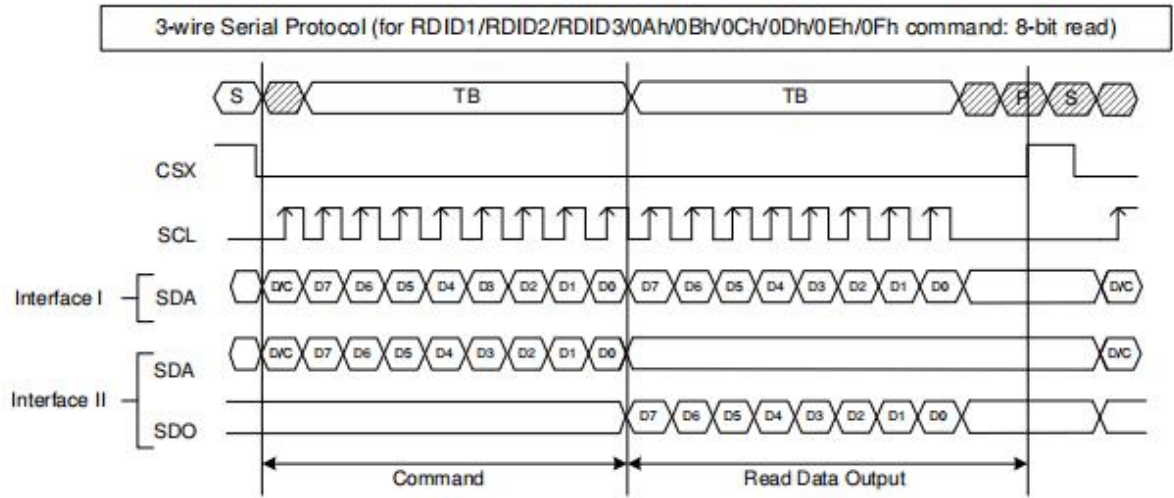
6.6 Reset Timing Characteristics

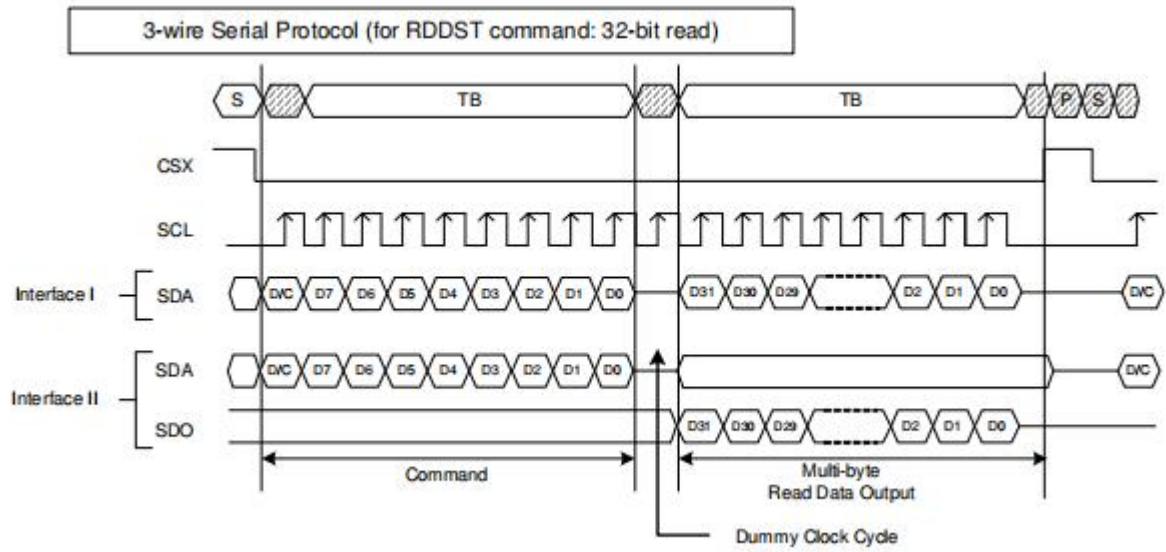
Address: In Building 2, BaiDai Industrial Park, ChangPing Road, DaoJiaoTown, Dongguan, Guangdong, P.R. China.

E-mail: Fancy@fsdzlcd.com | Website: www.fslcd.cn | www.tftlcd-display.com

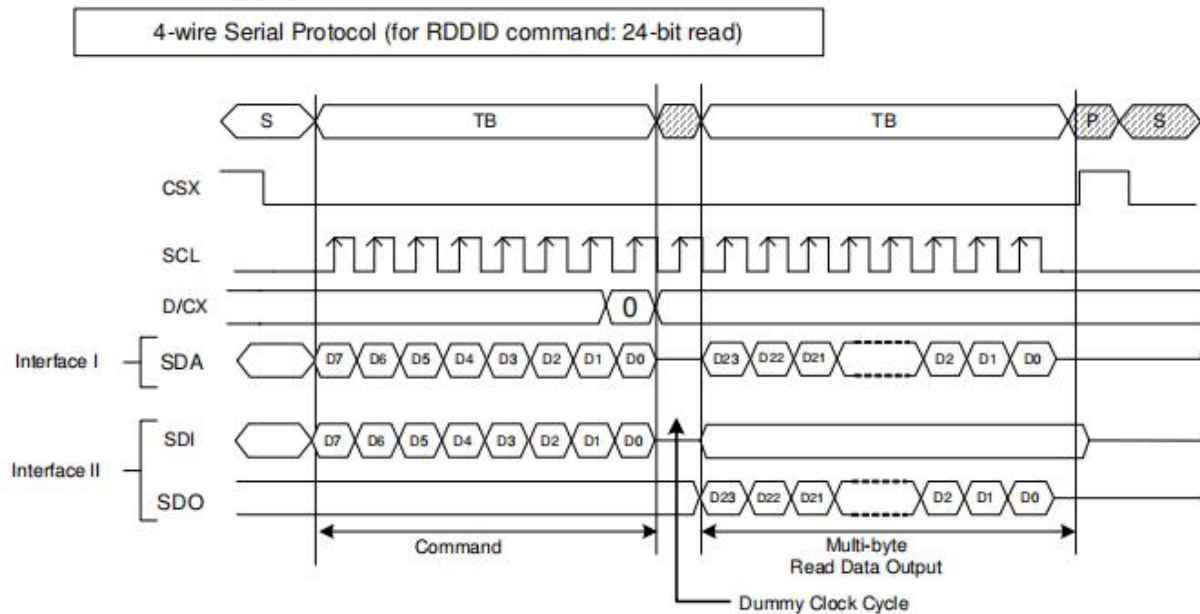
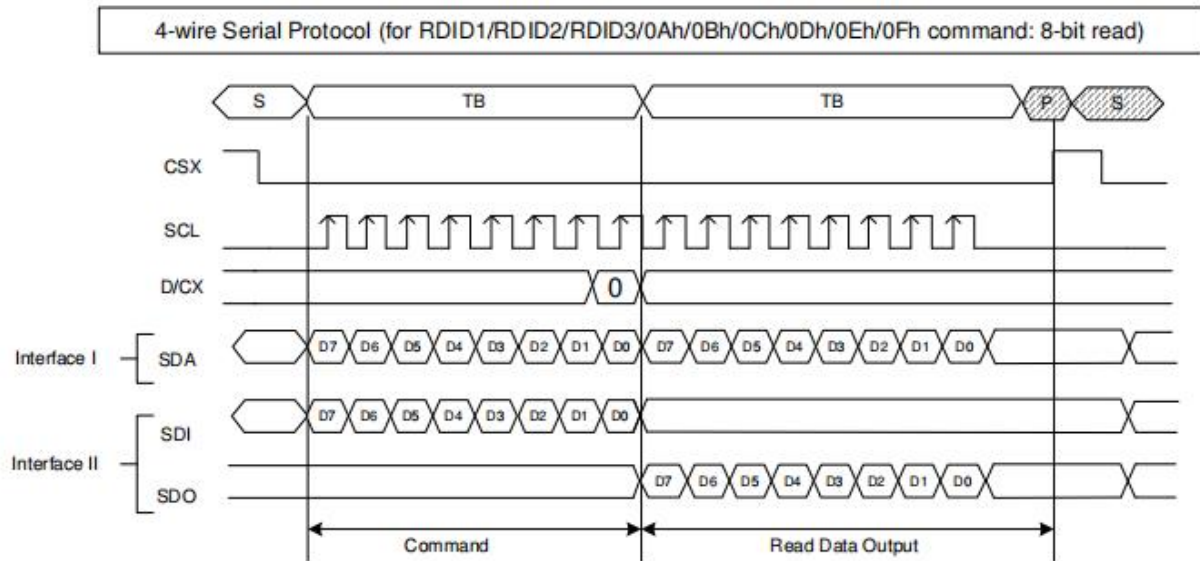
WatsApp/Skype/Wechat: +86-189 2546 1855 T:+86-769-22705821 EXT 815 | F: +86 769-2270-5825 | M: +86-134 1284 8038

3-wire Serial Interface Protocol





4-wire Serial Interface Protocol





东莞市方胜电子有限公司

DONGGUAN FANGSHENG ELECTRONIC CO., LTD.
HK GUANKE INDUSTRY LIMITED

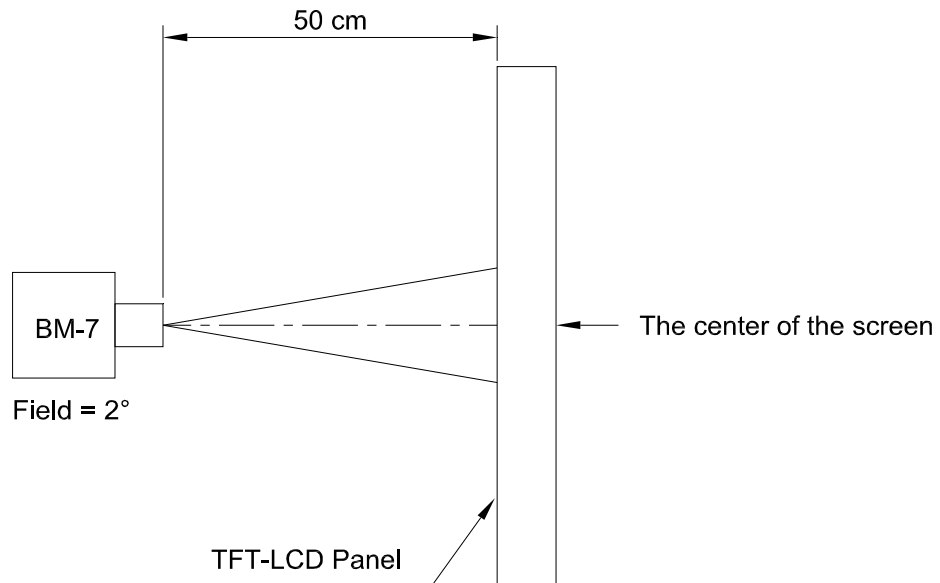
7 Optical Specification

Ta=25°C, Vcc=Vci=2.8V, I_B=80mA

Item		Symbol	Condition	Min.	Typ.	Max.	Unit	Remark
Brightness		B	θ=0° Normal viewing angle	120	170	--	cd/m ²	Note 1 With out TP
Contrast Ratio		CR		150	200	--	--	Note 2
Response Time		Rising : T _r Falling : T _f		--	25	40	ms	Note 3
Color Chromaticity (CIE 1931)	White	X	At the center of panel Backlight On Equipment: BM7 Field=2°	0.273	0.320	0.330	--	
		Y		0.304	0.343	0.363		
	Red	X		0.584	0.604	0.624		
		Y		0.305	0.325	0.345		
	Green	X		0.279	0.299	0.329		
		Y		0.587	0.600	0.612		
	Blue	X		0.115	0.135	0.155		
		Y		0.060	0.063	0.075		
Viewing Angle	Top	θ _U	CR ≥ 10 Backlight On Equipment: BM7 Field=2°	45	--	--	Degrees	Note 4
	Bottom	θ _D		15	--	--		
	Left	θ _L		40	--	--		
	Right	θ _R		40	--	--		
Uniformity		Un	θ=0° Normal viewing angle Backlight On Equipment: BM7 Field=2°	70	80	--	%	Note 5

Note 1: The brightness test equipment setup

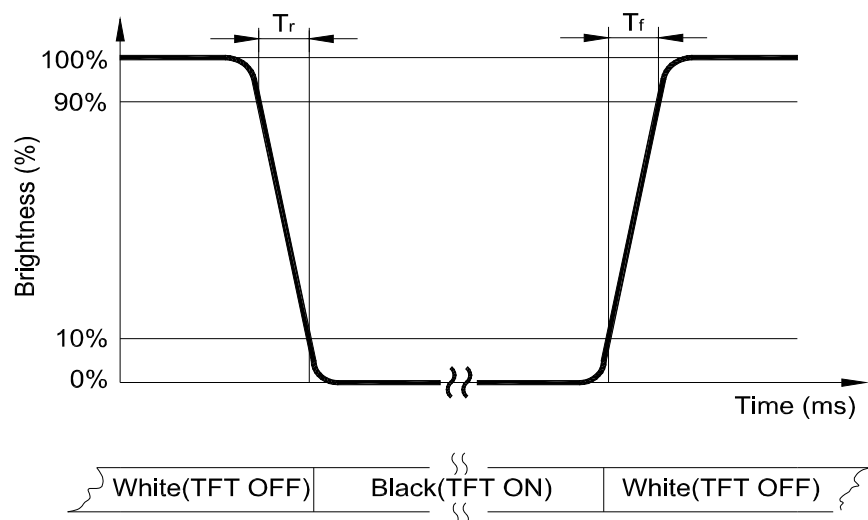
I_B=60mA, Field=2° (As measuring "black" image, field=2° is the best testing condition.)



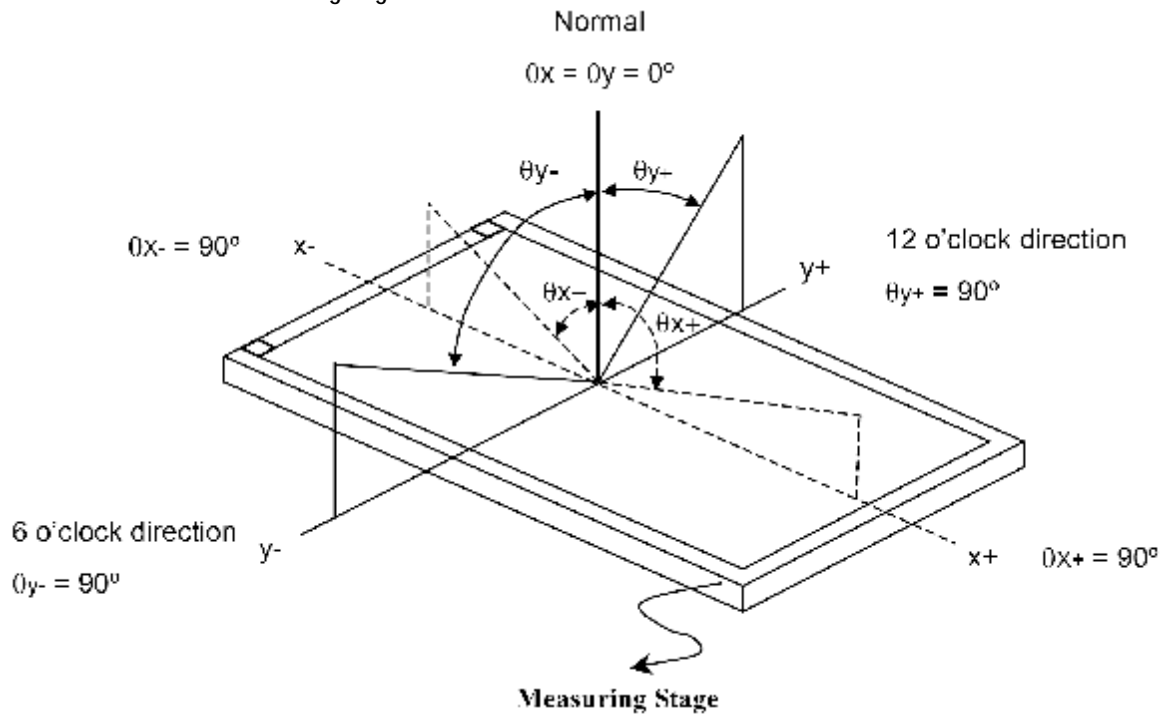
Note 2: Definition of contrast ratio (C.R)

$$C.R = \frac{\text{Brightness When LCD is at "White" State}}{\text{Brightness When LCD is at "Black" State}}$$

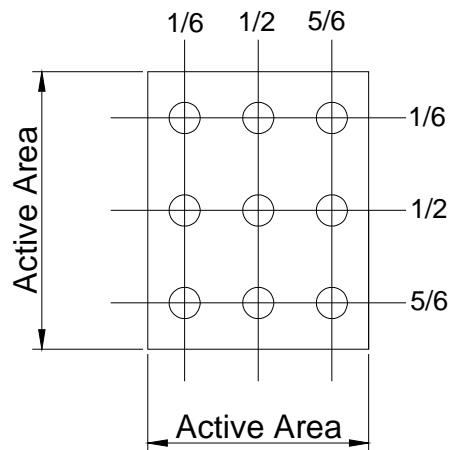
Note 3: Definition of response time



Note 4: Definition of viewing angle



Note 5: Definition of uniformity (U_n)



$$U_n = \frac{B_{\min}}{B_{\max}} \times 100\%$$



东莞市方胜电子有限公司

DONGGUAN FANGSHENG ELECTRONIC CO., LTD.
HK GUANKE INDUSTRY LIMITED

8 Environment Absolute Maximum Ratings

Item	Symbol	Min	Max	Unit	Remark
Operation temperature range	Top	-20	70	°C	Ambient
Storage temperature range	Tst	-30	80	°C	Ambient

- I Corrosive gas environment is not acceptable.
- I TFT-LCD color will change slightly depending on environment temperature. This phenomenon is reversible. Current reduction rate of LED backlight is according to the graph indicated below:

9 Reliability Test Items

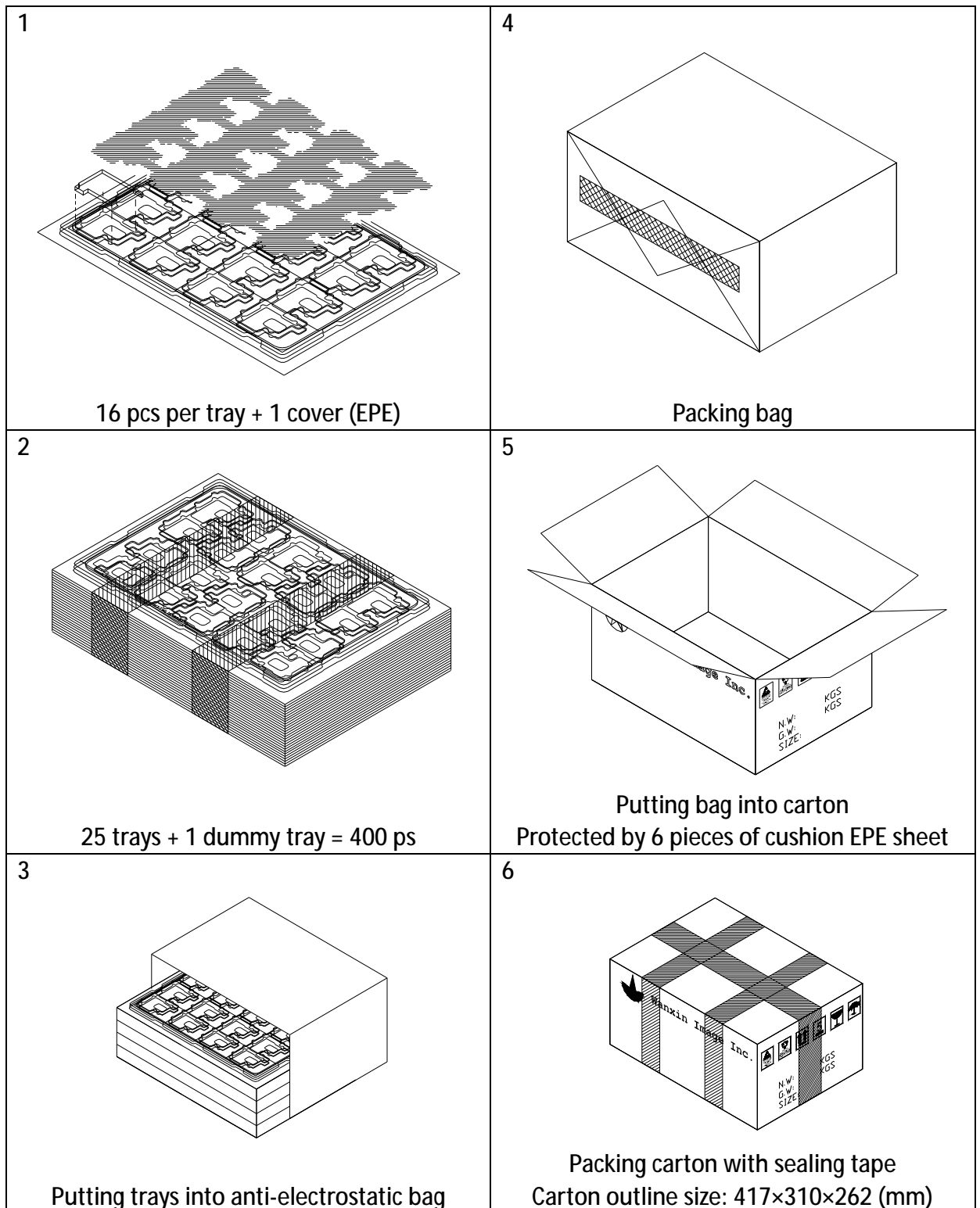
Item	Test Condition		Criterion
High Temperature Storage	80 °C , 240 hrs		There should be no change which might affect the practical display function when the display quality test is conducted under normal operating condition.
Low Temperature Storage	-30 °C , 240 hrs		
High Temp. & High Humidity Storage	60 °C , 90% RH, 240 hrs		
Vibration Test (Non-operating)	Freq.:10~55~10 Hz, Amp.:1.5mm 1 hr for each direction of X, Y, Z		
Electrostatic Discharge Test (Non-operating)	Terminals	150 pF, 0 Ω, ±300 V, Contact	
	Panel	150 pF, 330 Ω, ±8 KV, Air	
Thermal Shock (Static)	-30 °C , 30 min /80 °C , 30 min, 20 cycles		
High Temperature Operation	70 °C , 240 hrs		
Low temperature Operation	-20 °C , 240 hrs		
High Temperature & High Humidity (Operating)	50 °C , 90% RH, 240 hrs		
FPC Peeling Strength Test	Pull speed: 50 mm/min, +90° ,		> 400gf/cm

Address: In Building 2, BaiDai Industrial Park, ChangPing Road, DaoJiaoTown, Dongguan, Guangdong, P.R. China.

E-mail: Fancy@fsdzlcd.com | Website: www.fslcd.cn | www.tftlcd-display.com

WhatsApp/Skype/Wechat: +86-189 2546 1855 T:+86-769-22705821 EXT 815 | F: +86 769-2270-5825 | M: +86-134 1284 8038

10 Package





东莞市方胜电子有限公司

DONGGUAN FANGSHENG ELECTRONIC CO., LTD.
HK GUANKE INDUSTRY LIMITED

11 Precautions

Please pay attentions to the followings as using the LCD module.

11.1 Handling

- (a) Do not apply strong mechanical stress like drop, shock or any force to LCD module. It may cause improper operation, even damage.
- (b) Because the polarizer is very fragile and easy to be damaged, do not hit, press or rub the display surface with hard materials.
- (c) Do not put heavy or hard material on the display surface, and do not stack LCD modules.
- (d) If the display surface is dirty, please wipe the surface softly with cotton swab or clean cloth.
- (e) Avoid using Ketone type materials (e.g. Acetone), Toluene, Ethyl acid or Methyl chloride to clean the display surface. It might damage the touch panel surface permanently. The recommended solvents are water and Isopropyl alcohol.
- (f) Wipe off water droplets or oil immediately.
- (g) Protect the LCD module from ESD. It will damage the LSI and the electronic circuit.
- (h) Do not touch the output pins directly with bare hands.
- (i) Do not disassemble the LCD module.
- (j) Do not lift the FPC of Touch Panel.

11.2 Storage

- (a) Do not leave the LCD modules in high temperature, especially in high humidity for a long time.
- (b) Do not expose the LCD modules to sunlight directly.
- (c) The liquid crystal is deteriorated by ultraviolet. Do not leave it in strong ultraviolet ray for a long time.
- (d) Avoid condensation of water. It may cause improper operation.
- (e) Please stack only up to the number stated on carton box for storage and transportation. Excessive weight will cause deformation and damage of carton box.

Address: In Building 2, BaiDai Industrial Park, ChangPing Road, DaoJiaoTown, Dongguan, Guangdong, P.R. China.

E-mail: Fancy@fsdzlcd.com | Website: www.fslcd.cn | www.tftlcd-display.com

Watsapp/Skype/Wechat: +86-189 2546 1855 T:+86-769-22705821 EXT 815 | F: +86 769-2270-5825 | M: +86-134 1284 8038



东莞市方胜电子有限公司

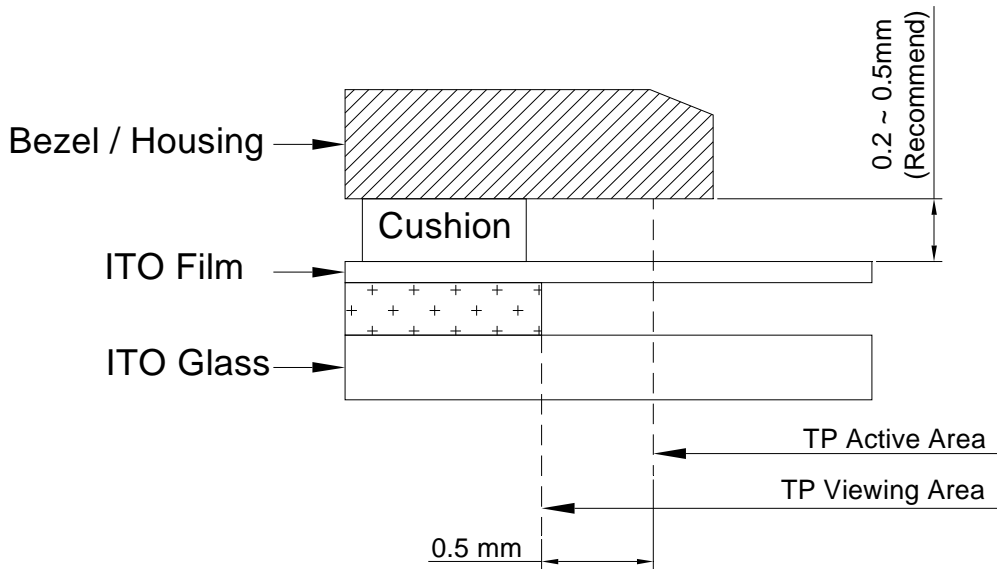
DONGGUAN FANGSHENG ELECTRONIC CO., LTD.
HK GUANKE INDUSTRY LIMITED

11.3 Operation

- (a) When mounting or dismantling the LCD modules, turn the power off.
- (b) Protect the LCD modules from electric shock.
- (c) The Driver IC control algorithms stated above should always obeyed to avoid damaging the LSI and electronic circuit.
- (d) Be careful to avoid mixing up the polarity of power supply for backlight.
- (e) Absolute maximum rating specified above has to be always kept in any case. Exceeding it may cause non-recoverable damage of electronic components or, nevertheless, burning.
- (f) When a static image is displayed for a long time, remnant image is likely to occur.
- (g) Be sure to avoid bending the FPC to an acute shape, it might break FPC.
- (h) Most of the touch screens have air vent to equalize the inside air pressure to the outside one. The air vent must be open and liquid contact must be avoided as the liquid may be absorbed if the liquid is accumulated near the air vent.
- (i) For the fragility of ITO film, it should avoid to use too tapering pen as the input material.

11.4 Touch Panel Mounting Notes

- (a) If a cushion is used between bezel/housing and film must be choose as free as enough to absorb the expansion and contraction to avoid the distortion of film.
- (b) The cushion must be placed out of the Viewing Area.
- (c) Bezel/Housing edge must be posited between Key Area and Viewing Area. The edge enters the Key Area may cause unexpected input if the gap is too narrow or foreign particles like dusts exist between Bezel/Housing and ITO film.
- (d) Mounting example:



The corner part has conductivity. Do not touch any metal part after mounting.

11.5 Others

- a) If the liquid crystal leaks from the panel, it should be kept away from the eyes or mouth.
- b) For the fragility of polarizer, it is recommended to attach a transparent protective plate over the display surface.
- c) It is recommended to peel off the protection film on the polarizer slowly so that the electrostatic charge can be minimized.

12 Records of Version

Version	Revise Date	Page	Content
A	2014-12-24	All	New released